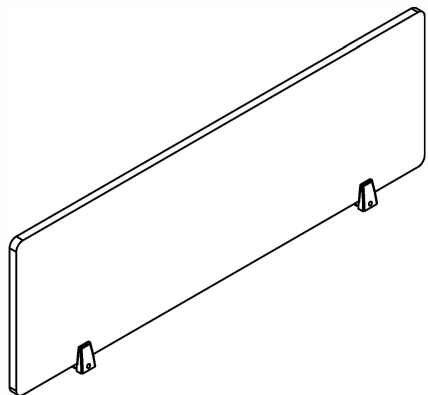


DIVIDER MOUNTING ASSEMBLY INSTRUCTIONS



		PARTS LIST						
Part	HB	HB	HB	HB	HB	HB	HB	
Qty.								
Item	Screw M6x20	Screw M6x35	Wrench 5 mm	Screw 4.2 X 32	Screw M4 x8	Rubber Gaskets	Offset Adapter	
Pinch clamps (2 PACK)	2	2	1	4	4	4	-	
C brackets (2 PACK)	-	-	-	-	4	-	2	

Please remove red Hardware Bag from box.
 Parts with "HB" are in red Hardware Bag.

Notes:

- Hardware works with both Fabric and Acrylic Dividers
- Rubber Gaskets to be used with Acrylic Dividers only
- Offset Adapter to be used when mounting a Surface Mounted Divider adjacent to Monitor Arms or Surface Mounted Power Modules.

